

BLINCE HYDRAULIC

P40 系列整体阀

P40 Series Monoblock Directional Control Valves

用途与特征/APPLICATIONS&FEATURES

P40系列整体式多路阀是我公司引进欧洲的一种中高压整体式多路阀。可按客户要求，在阀上设溢流阀、单向阀。溢流阀可调节压力，单向阀防止油液倒流。换向阀的滑阀机能可有A,O,P,Y等，可任意组合，换向手柄有两种安装形式，便于不同方向的操作，该阀采用并联或者串联油路，设计有压力输出口与其他液压元件相连接提供动力源。经过特殊设计的密封方式，使阀的密封性能卓越。该阀广泛应用于叉车、环卫车辆、小型装载机工程机械的液压系统。



- ◆ P40 series valves with middle-high pressure monoblock construction is developed based on Europe technology.
- ◆ Inner check valve: The check valve inside the valve body is to insure the hydraulic oil not to be returned.
- ◆ Inner relief valve: The relief valve inside the valve body is able to adjust the hydraulic system working pressure.
- ◆ Oil way: Parallel circuit, power beyond option
- ◆ Control Way: Manual control, pneumatic control, hydraulic and electric control for optional.
- ◆ Valve construction: monoblock construction, 1-7 levers.
- ◆ Spool Function: O, Y, P, A.
- ◆ Option: Hydraulic lock is available to be added on A and B port.
- ◆ Available with manual, pneumatic control, electric and pneumatic control, hydraulic and electric control and etc.

型号说明/MODEL CODE



技术参数/PARAMETERS

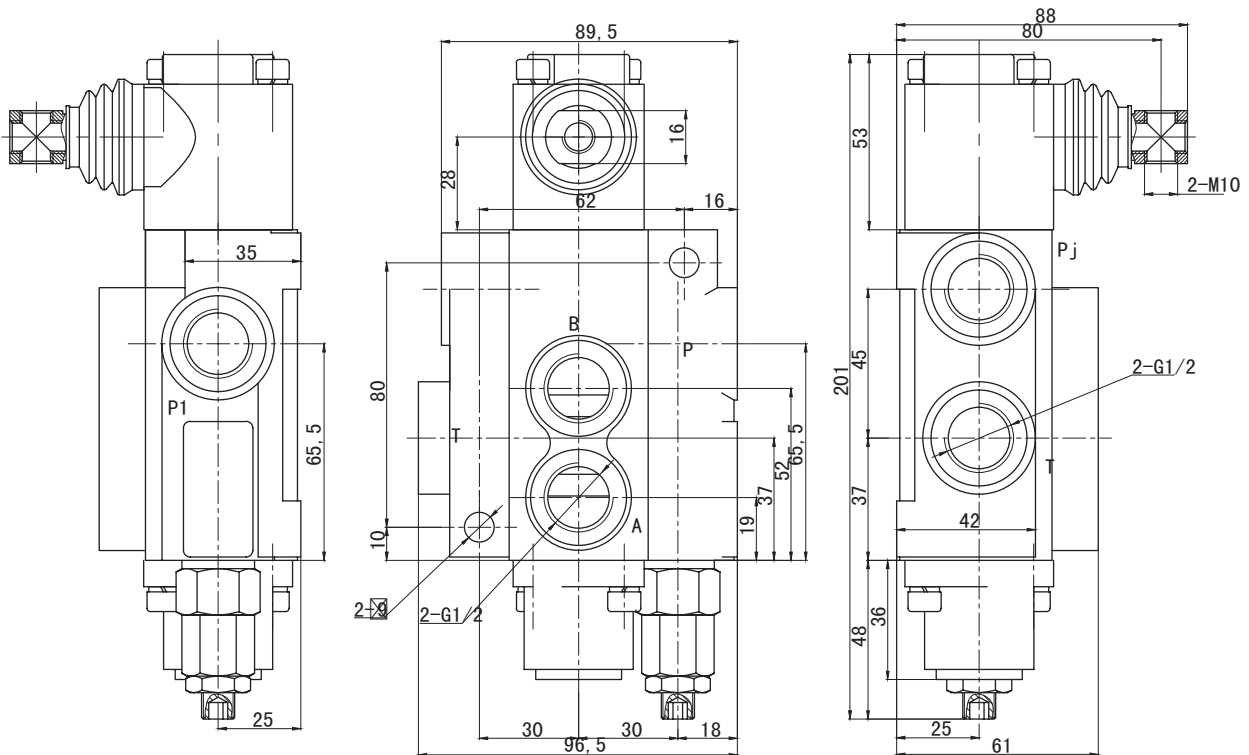
公称压力 (MPa) Nom. Pressure	最大压力 (MPa) Max. Pressure	公称流量 (L/min) Nom. Flow rate	最大流量 (L/min) Max. Flow rate	中位背压 (MPa) Back Pressure	工作油液 hydraulic oil		
					温度范围 (℃) Tem.rang	粘度范围 (mm ² /S) Visc.rang	过滤精度 (μm) filtrating accuracy
20	31.5	40	40	≤1	-20 ~ +80	10 ~ 400	≤10

BLINCE HYDRAULIC

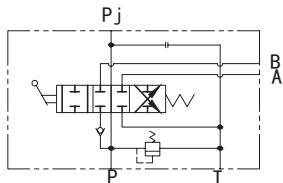
P40 系列整体阀

P40 Series Monoblock Directional Control Valves

P40外形安装连接尺寸/MODEL P40 DIMENSIONAL DATA



原理图



技术参数:

1. 公称压力 20MPa
3. 额定流量 40L/min

BLINCE HYDRAULIC

P80 系列整体阀

P80 Series Monoblock Directional Control Valves

用途与特征/APPLICATIONS&FEATURES

P80系列整体式多路阀是我公司引进欧洲的一种中高压整体式多路阀。可按客户要求，在阀上设溢流阀、单向阀。溢流阀可调节压力，单向阀防止油液倒流。换向阀的滑阀机能可有A,O,P,Y等，可任意组合，换向手柄有两种安装形式，便于不同方向的操作，该阀采用并联或者串联油路，设计有压力输出口与其他液压元件相连接提供动力源。经过特殊设计的密封方式，使阀的密封性能卓越。该阀广泛应用于叉车、环卫车辆、小型装载机工程机械的液压系统。



P80 series valves with middle-high pressure monoblock construction is developed based on Europe technology.

- ◆ Inner check valve: The check valve inside the valve body is to insure the hydraulic oil not to be returned.
- ◆ Inner relief valve: The relief valve inside the valve body is able to adjust the hydraulic system working pressure.
- ◆ Oil way: Parallel circuit, power beyond option
- ◆ Control Way: Manual control, pneumatic control, hydraulic and electric control for optional.
- ◆ Valve construction: monoblock construction, 1-6 levers.
- ◆ Spool Function: O,Y,P,A.
- ◆ Option:Hydraulic lock is available to be added on A and B port.
- ◆ Available manual, pneumatic control, electric and pneumatic control, hydraulic and electric control and etc.

型号说明/MODEL CODE



技术参数/PARAMETERS

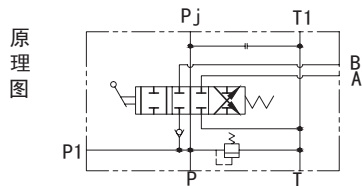
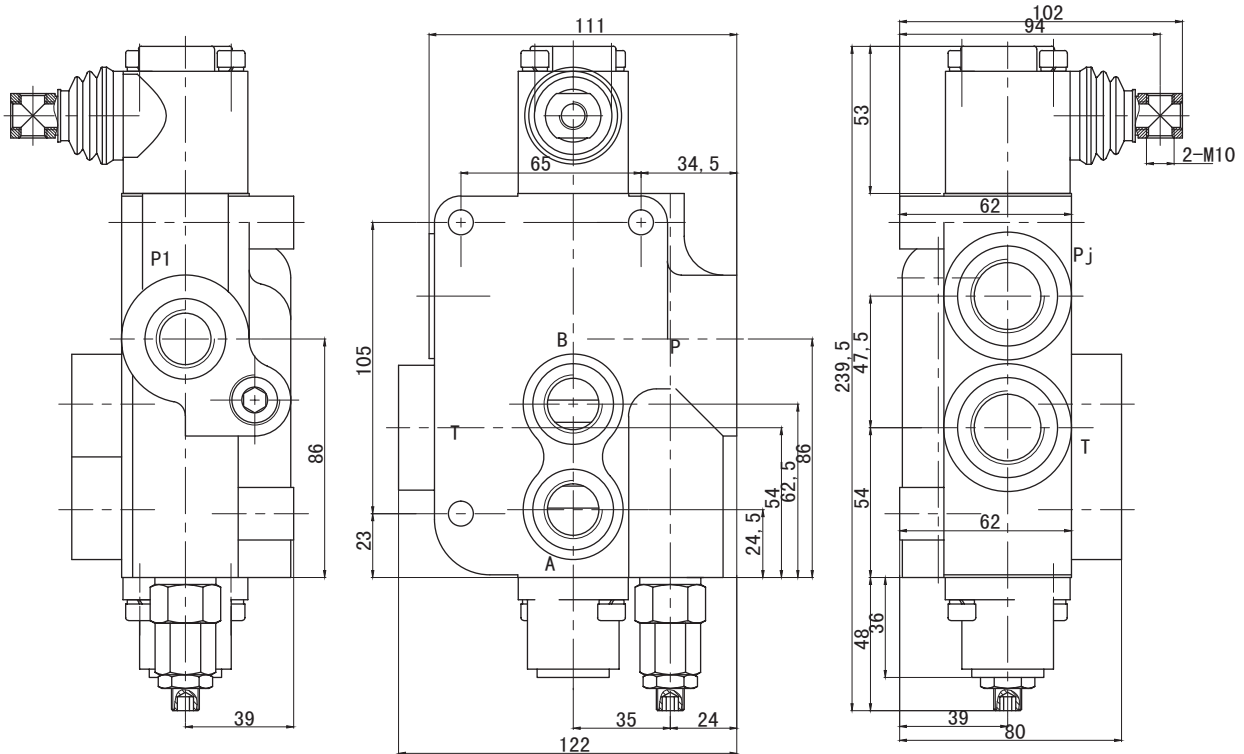
公称压力 (MPa) Nom. Pressure	最大压力 (MPa) Max. Pressure	公称流量 (L/ min) Nom. Flow rate	最大流量 (L/min) Max. Flow rate	中位背压 (MPa) Back Pressure	工作油液hydraulic oil		
					温度范围 (°C) Tem.rang	粘度范围 (mm ² /S) Visc.rang	过滤精度 (μ.m) filtrating accuracy
20	31.5	80	80	≤1	-20 ~ +80	10 ~ 400	≤10

BLINCE HYDRAULIC

P80 系列整体阀

P80 Series Monoblock Directional Control Valves

P80外形安装连接尺寸/MODEL P80 DIMENSIONAL DATA



- 技术参数:
1. 公称压力 20MPa
 3. 额定流量 80L/min

P80系列整体阀 MDCV

BLINCE HYDRAULIC

SD14 系列整体阀

SD14 Series Monoblock Directional Control Valve

产品描述/SPECIFICATION

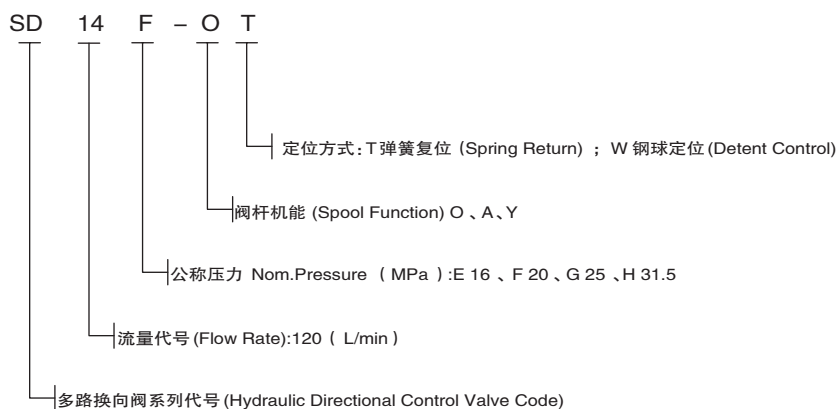
SD14系列整体阀引进了欧洲先进技术，具有结构紧凑、流量高达120l/min、重量轻。该阀采用并联油路，设计有压力出口与其他液压元件相连接提供动力源。该阀广泛应用于工程机械、环卫机械、矿山机械和其他机械的液压系统。



产品特点/FEATURES

- ◆ Simple, compact designed, this valves is only one section for open centre and closed centre hydraulic systems.
- ◆ Fitted with a main pressure relief valve.
- ◆ Diameter 20 mm -- 0.79 in interchangeable spools.
- ◆ Available manual, pneumatic, electro--hydraulic and remote with flexible cable spool control kits.

型号说明/MODEL CODE



技术参数/PARAMETERS

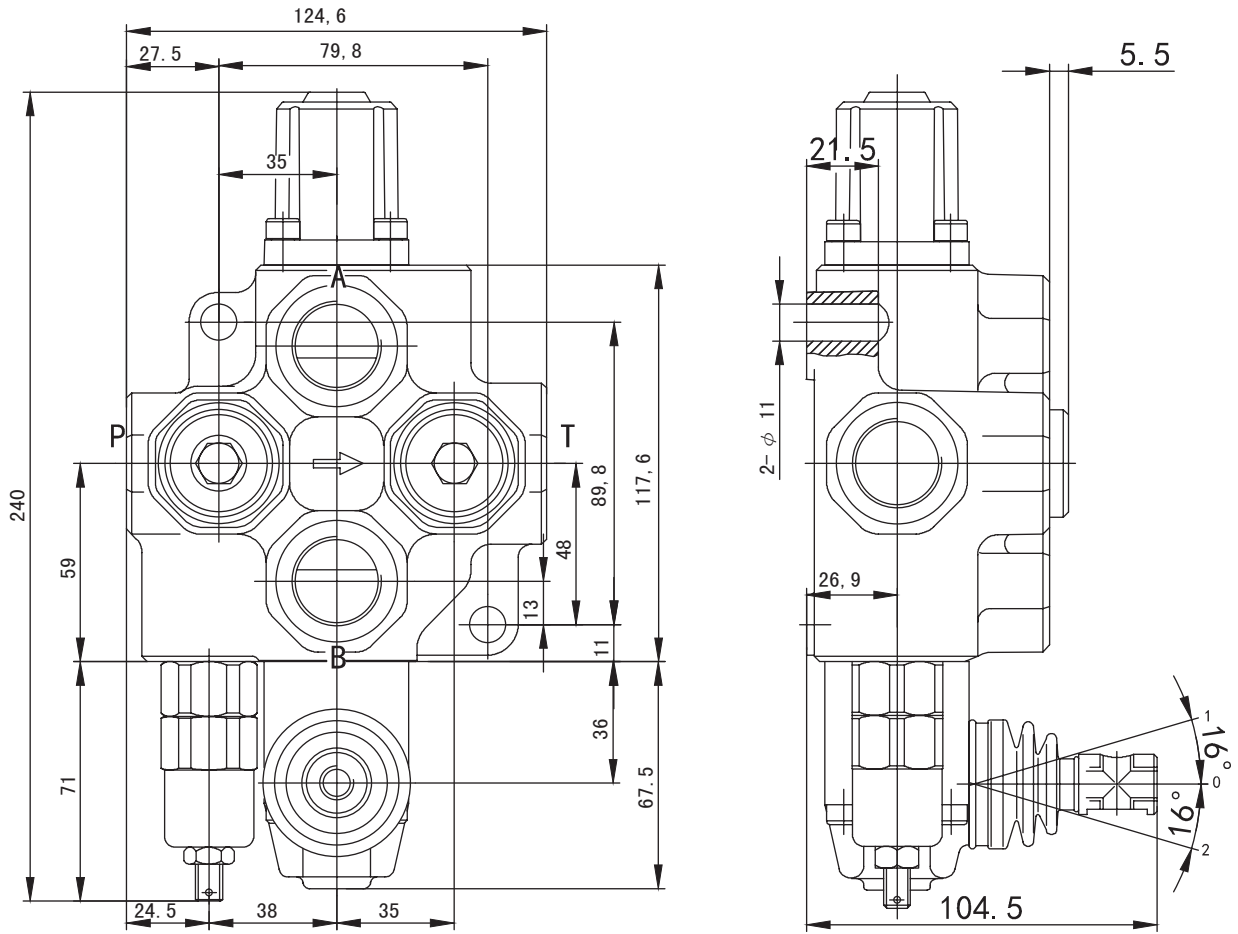
公称压力 (MPa) Nom. Pressure	最大压力 (MPa) Max. Pressure	公称流量 (L/min) Nom. Flow rate	最大流量 (L/min) Max. Flow rate	中位背压 (MPa) Back Pressure	工作油液hydraulic oil		
					温度范围 (°C) Tem.rang	粘度范围 (mm2/S) Visc.rang	过滤精度 (μ m) filtrating accuracy
20	25	120	120	≤1	-20 ~ +80	10 ~ 400	≤10

BLINCE HYDRAULIC

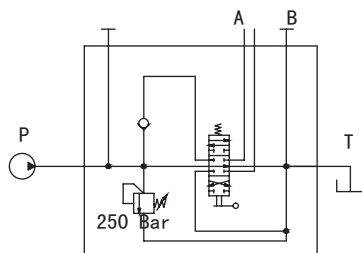
SD14 系列整体阀

SD14 Series Monoblock Directional Control Valve

SD14外形安装连接尺寸/MODEL SD14 DIMENSIONAL DATA



HYDRAULIC CIRCUIT



SD14系列整体阀MDCV

BLINCE HYDRAULIC

SD8 系列分片式多路阀

SD8 Series Sectional Directional Control Valves

产品描述/SPECIFICATION

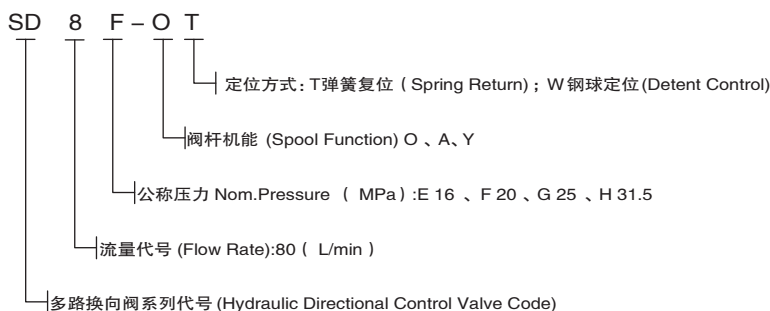
SD8系列分片式多路阀引进了欧洲先进技术，具有机构紧凑、耐高压，使用寿命长，能做1-14连，同时有中位开启和中位闭合两种液压系统。SD8每一片阀体都可以根据客户要求增加溢流阀，补油阀等。控制方式有手动、气动、电液控和软轴遥控等多种不同的控制方式，以满足客户不同的操控需求。该阀广泛应用于工程机械、环卫机械、矿山机械和其他机械的液压系统。



产品特点/FEATURES

- ◆ Simple, compact and heavy duty designed sectional valve from 1-14 sections for open and closed centre hydraulic systems.
- ◆ Flow rate: 90l/min, with max pressure 315bar.
- ◆ Joining port: L (screw connection)
- ◆ Spool function options: O,P, Y, A and etc.
- ◆ Nominal diameter: G1/2; G3/4, 7/8-14UNF ,SAE10, 3/4-16UNF, SAE8, M18X1.5
- ◆ Spring side control options: spring control and detent control
- ◆ Lever side control options: manual, pneumatic control, electric and pneumatic control, hydraulic and electric control, hydraulic control and remote control.

型号说明/MODEL CODE



技术参数/PARAMETERS

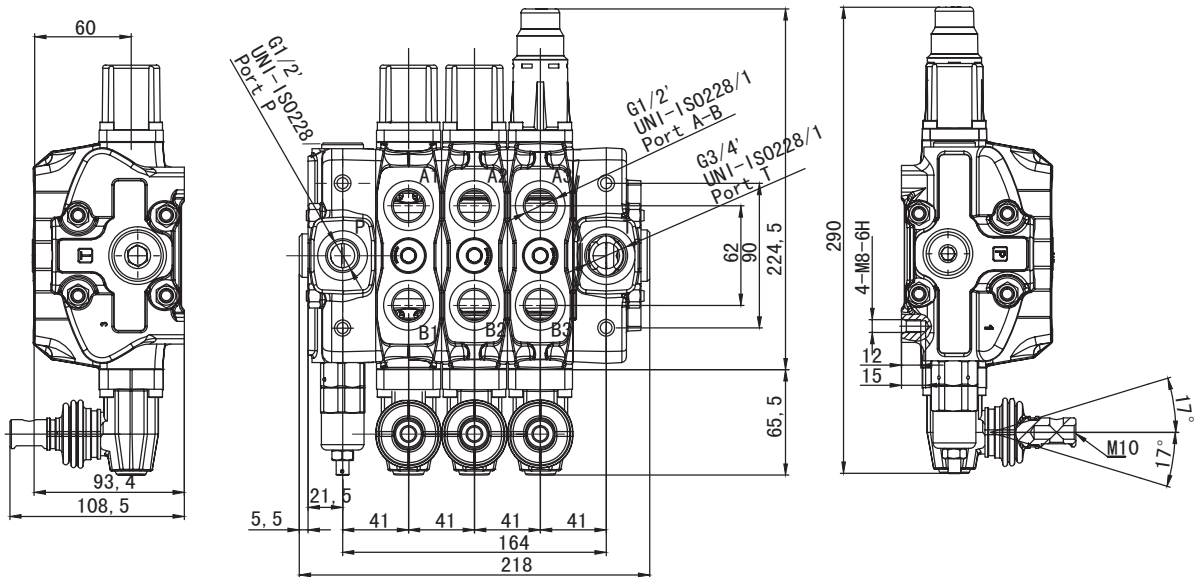
公称压力 (MPa) Nom. Pressure	最大压力 (MPa) Max. Pressure	公称流量 (L/min) Nom. Flow rate	中位背压 (MPa) Back Pressure	工作油液 hydraulic oil		
				温度范围 (°C) Tem.rang	粘度范围 (mm ² /S) Visc.rang	过滤精度 (μm) filtrating accuracy
16	31.5	80	≤1	-20 ~ +80	10 ~ 400	≤10

BLINCE HYDRAULIC

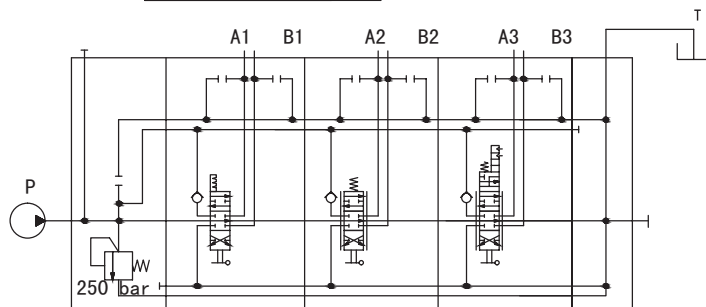
SD8 系列分片式多路阀

SD8 Series Sectional Directional Control Valves

SD8 外形安装连接尺寸/MODEL SD8 DIMENSIONAL DATA



HYDRAULIC CIRCUIT



SD8系列分片式多路阀SDCV

BLINCE HYDRAULIC

SDS180 系列分片式多路阀

SDS180 Series Sectional Directional Control Valves

产品描述/SPECIFICATION

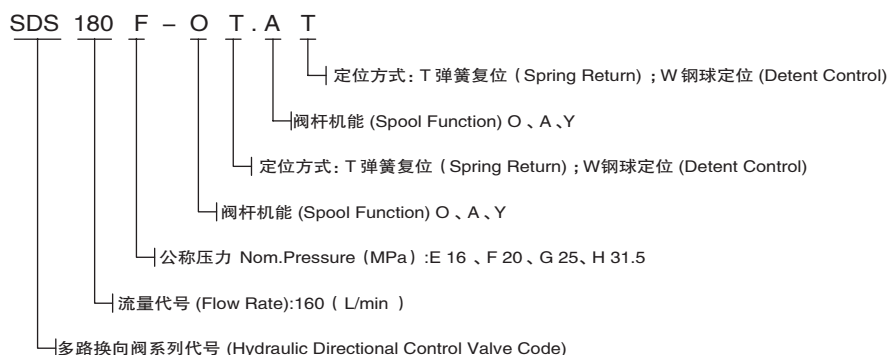
SDS180系列分片式多路阀引进了欧洲先进技术，具有机构紧凑、耐高压，使用寿命长。SDS180每一片阀体都可以根据客户要求增加溢流阀，补油阀等。控制方式有手动、气动、电液控和软轴遥控等多种不同的控制方式，以满足客户不同的操控需求。该阀广泛应用于工程机械、环卫机械、矿山机械和其他机械的液压系统。



产品特点/FEATURES

- ◆ Simple, compact and heavy duty designed sectional valve from 1 to 12 sections for open and closed centre hydraulic systems.
- ◆ Fitted with a main pressure relief valve and a load check valve on every working section
- ◆ Available with parallel, tandem or series circuit.
- ◆ Optional carry-over port.
- ◆ A wide range of antishock+anticavitation port valves.
- ◆ Intermediate sections for several types of circuit.
- ◆ Available manual, pneumatic, electrohydraulic, proportional hydraulic, spool control kits.
- ◆ Diameter 20 mm (0.79 in) interchangeable spools.

型号说明/MODEL CODE



技术参数/PARAMETERS

公称压力 (MPa) Nom. Pressure	最大压力 (MPa) Max. Pressure	公称流量 (L/min) Nom. Flow rate	中位背压 (MPa) Back Pressure	工作油液 hydraulic oil		
				温度范围 (℃) Tem.rang	粘度范围 (mm ² /S) Visc.rang	过滤精度 (μm) filtrating accuracy
16	31.5	160	≤1	-20 ~ +80	10 ~ 400	≤10

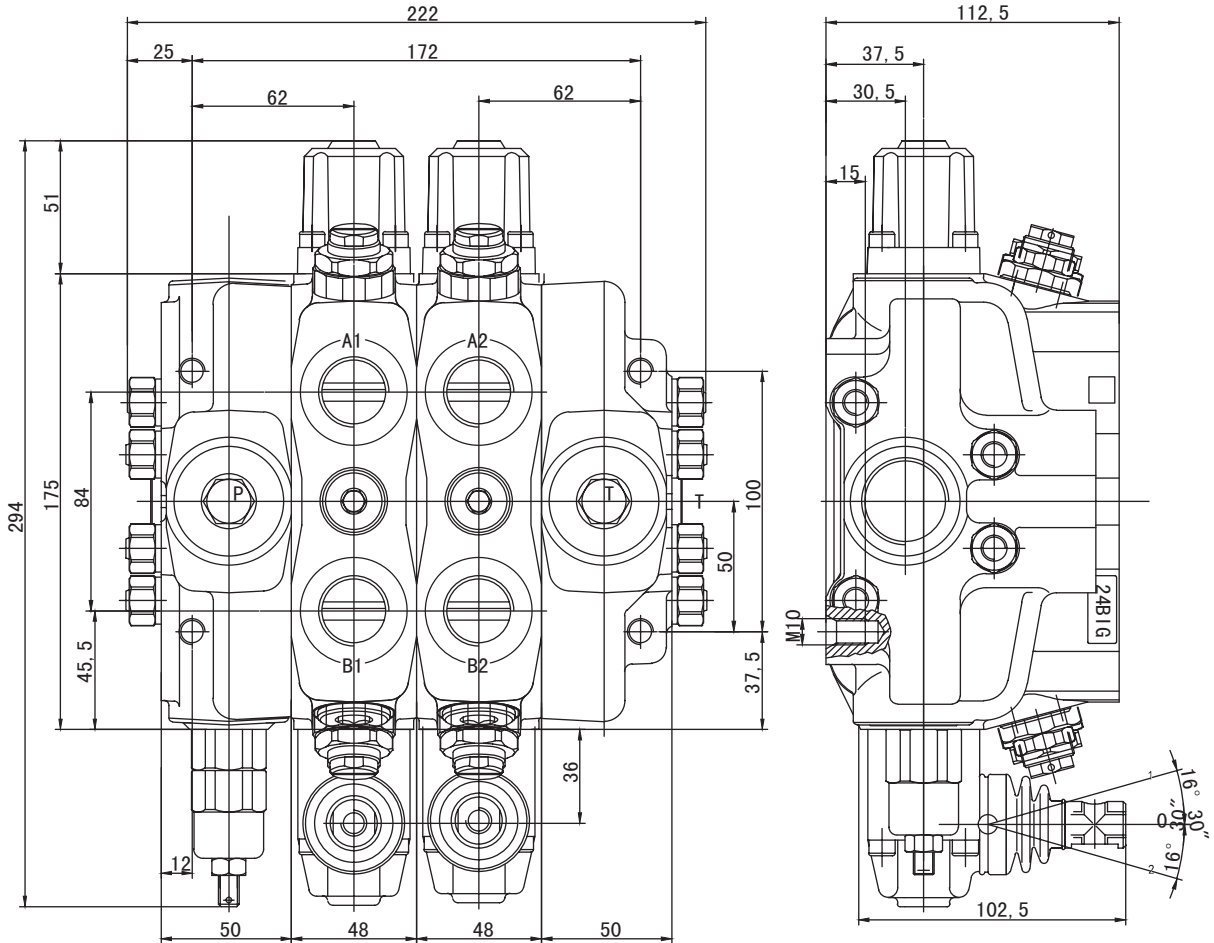
SDS180系列分片式多路阀SDCV

BLINCE HYDRAULIC

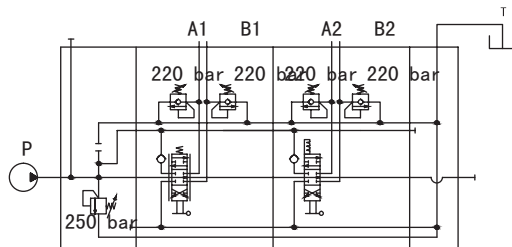
SDS180 系列分片式多路阀

SDS180 Series Sectional Directional Control Valves

SDS180 外形安装连接尺寸/MODEL SDS180 DIMENSIONAL DATA



HYDRAULIC CIRCUIT



SDS180系列分片式多路阀SDCV

BLINCE HYDRAULIC

SD25 系列分片式多路阀

SD25 Series Sectional Directional Control Valves

产品描述/SPECIFICATION

SD25系列分片式多路阀引进了欧洲先进技术，具有机构紧凑、耐高压，使用寿命长。同时SD25片阀的流量高达240l/min，能满足大型工程机械的设计流量要求。SD25每一片阀体都可以根据客户要求增加溢流阀，补油阀等。控制方式有手动、气动、电液控和软轴遥控等多种不同的控制方式，以满足客户不同的操控需求。该阀广泛应用于工程机械、环卫机械、矿山机械和其他机械的液压系统。



产品特点/FEATURES

- ◆ Simple, compact and heavy duty designed sectional valve from 1 to 12 sections for open and closed centre hydraulic systems.
- ◆ Fitted with a main pressure relief valve and a load check valve on every working section
- ◆ Available with parallel or series circuit.
- ◆ Optional carry--over port.
- ◆ A wide variety of service ports and circuit valves.
- ◆ Available manual, pneumatic, hydraulic, electro--hydraulic, and remote with flexible cables spool control kits.
- ◆ Diameter 25 mm (0.98 in) interchangeable spools.

型号说明/MODEL CODE



技术参数/PARAMETERS

公称压力 (MPa) Nom. Pressure	最大压力 (MPa) Max. Pressure	公称流量 (L/min) Nom. Flow rate	中位背压 (MPa) Back Pressure	工作油液 hydraulic oil		
				温度范围 (℃) Tem.rang	粘度范围 (mm ² /S) Visc.rang	过滤精度 (μm) filtrating accuracy
16	31.5	240	≤1	-20 ~ +80	10 ~ 400	≤10

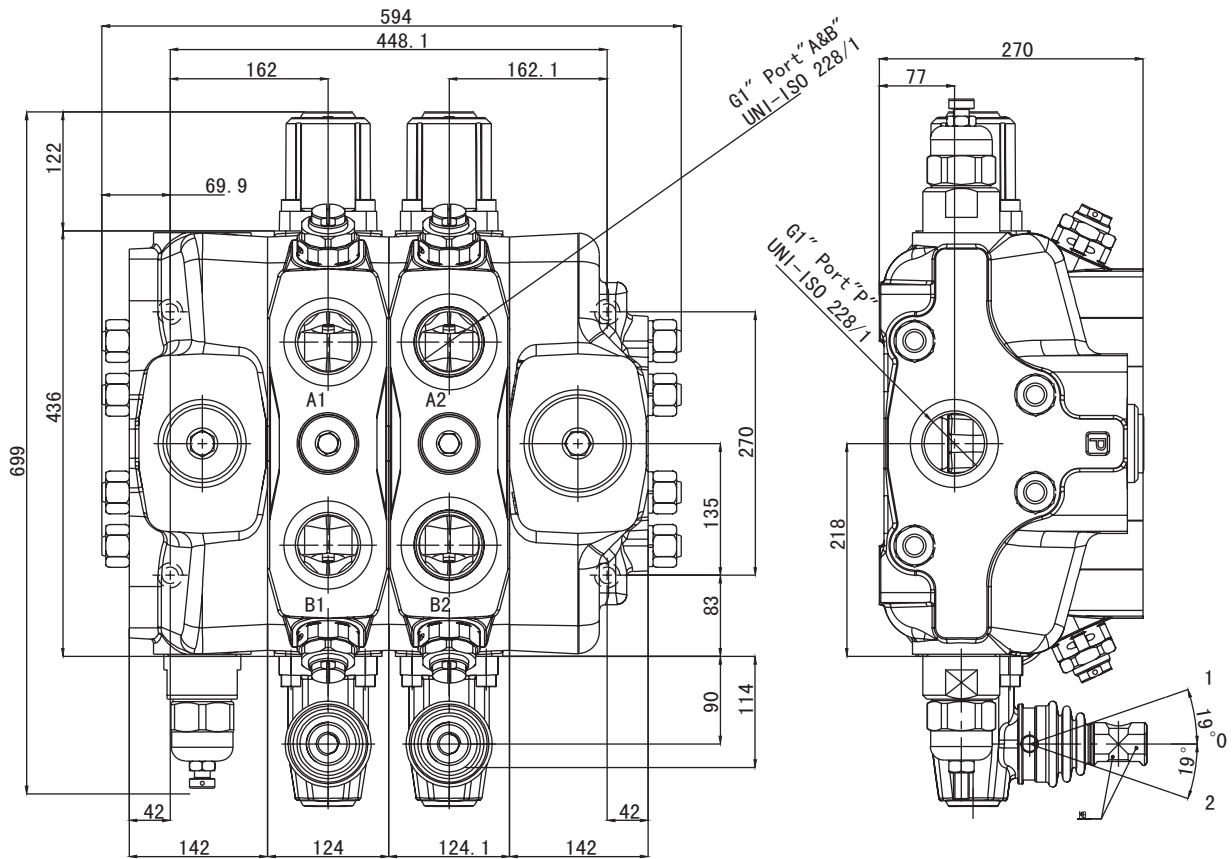
SD25系列分片式多路阀SDCV

BLINCE HYDRAULIC

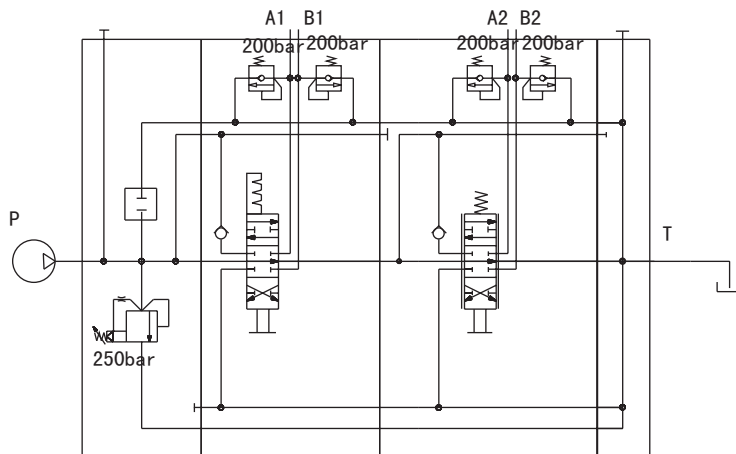
SD25 系列分片式多路阀

SD25 Series Sectional Directional Control Valves

SD25 外形安装连接尺寸/MODEL SD25 DIMENSIONAL DATA



HYDRAULIC CIRCUIT



SD25系列分片式多路阀SDCV

BLINCE HYDRAULIC

SDS400系列分片式多路阀

SDS400Series Sectional Directional Control Valves

产品描述/SPECIFICATION

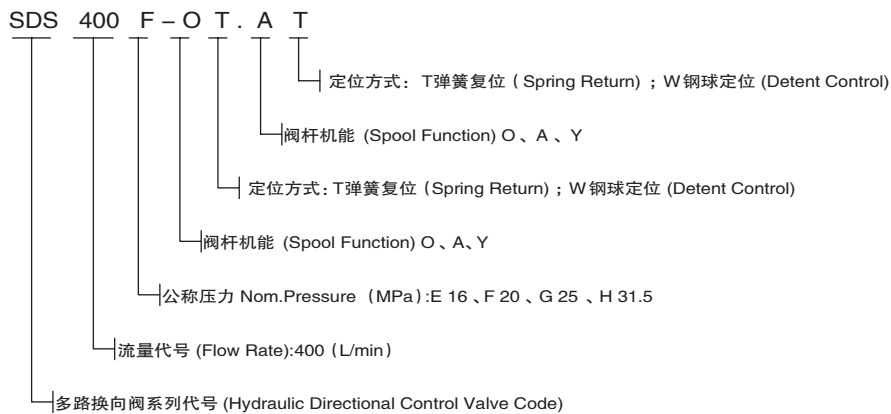
SDS400系列分片式多路阀引进了欧洲先进技术，具有机构紧凑、耐高压，使用寿命长。流量高达400l/min，填补了国内大流量多路阀的空白。SD400每一片阀体都可以根据客户要求增加溢流阀，补油阀等。控制方式有手动、气动、电液控和软轴遥控等多种不同的控制方式，以满足客户不同的操控需求。该阀广泛应用于工程机械、环卫机械、矿山机械和其他机械的液压系统。



产品特点/FEATURES

- ◆ Sectional directional control valve for high flow, available for fixed displacements hydraulic pumps.
- ◆ From 1 to 10 work sections
- ◆ Open centre
- ◆ Optional carry-over port
- ◆ Main pilot relief valve on inlet cover and load check valve on every section
- ◆ Available wide range of port valves Available manual and hydraulic control kits
- ◆ Diameter 30 mm (1.18 in) interchangeable spools

型号说明/MODEL CODE



技术参数/PARAMETERS

公称压力 (MPa) Nom. Pressure	最大压力 (MPa) Max. Pressure	公称流量 (L/min) Nom. Flow rate	中位背压 (MPa) Back Pressure	工作油液hydraulic oil		
				温度范围 (℃) Tem.rang	粘度范围 (mm ² /S) Visc.rang	过滤精度 (μm) filtrating accuracy
16	31.5	400	≤1	-20 ~ +80	10 ~ 400	≤10

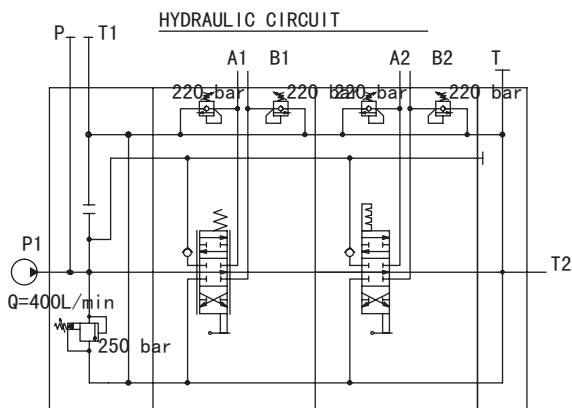
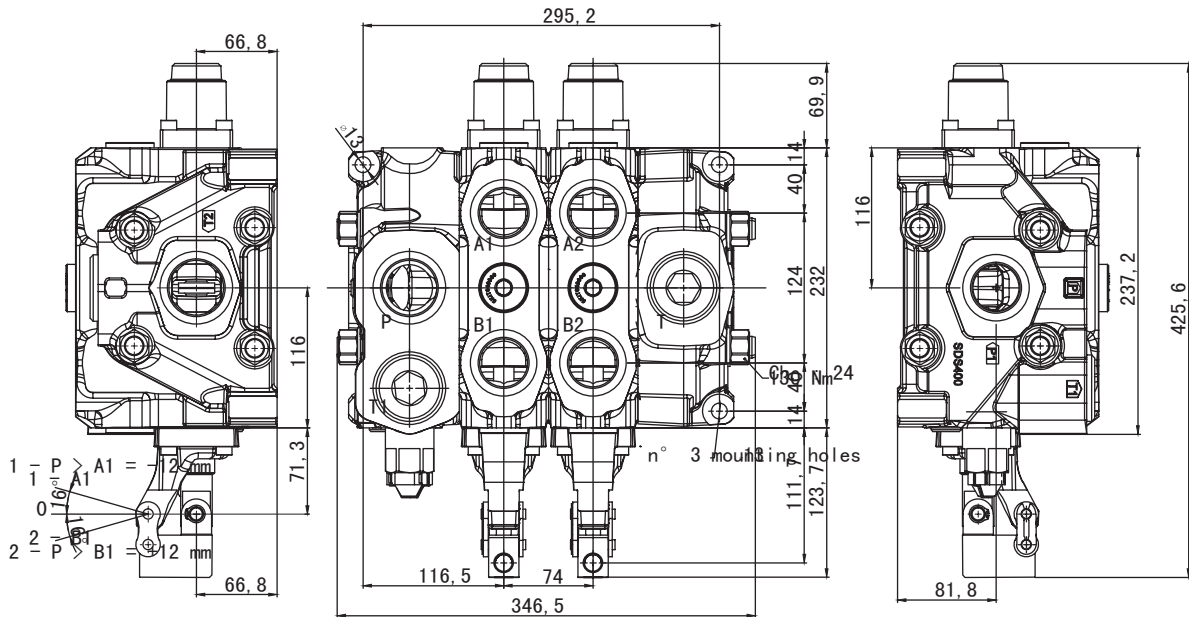
SDS400系列分片式多路阀SDCV

BLINCE HYDRAULIC

SDS400 系列分片式多路阀

SDS400 Series Sectional Directional Control Valves

SDS400 外形安装连接尺寸/MODEL SDS400 DIMENSIONAL DATA



SDS400系列分片式多路阀SDCV

BLINCE HYDRAULIC

LKF-60 压力补偿可变流量控制阀

LKF-60 Pressure Compensating Flow Control Valve

产品描述/SPECIFICATION

LKF是全范围压力补偿可变流量控制阀。经过精心设计，它的节流口面积会随着阀杆的旋转而变化。不论CF油口EX油口的压力如何变化，控制油口的流量始终是平稳恒定的。它拥有一个可调节的弹簧安全阀使压力可以上升到设置的安全压力。安全阀的压力出厂设置是1500psi，可调节范围是750-3000psi。



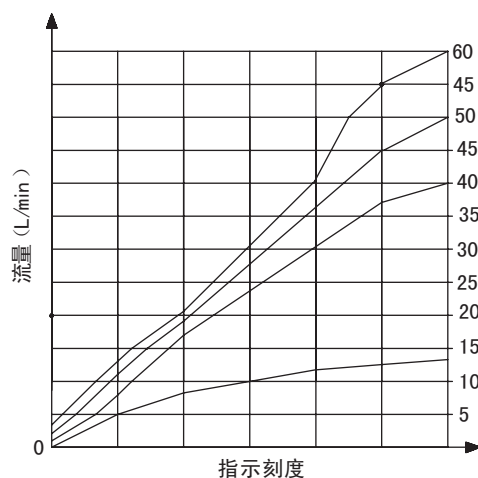
产品特点/FEATURES

LKF model is a full range pressure compensating variable flow control. It is designed so that the orifice area varies as the lever is rotated. The outlet flow is smooth and constant regardless of the pressure on the control flow or excess flow ports. An adjustable ball spring relief valve allows for pressure compensated how up to the pressure setting on the relief valve. Relief valves are preset at 1500psi and filed adjustable from 750 to 3000psi.

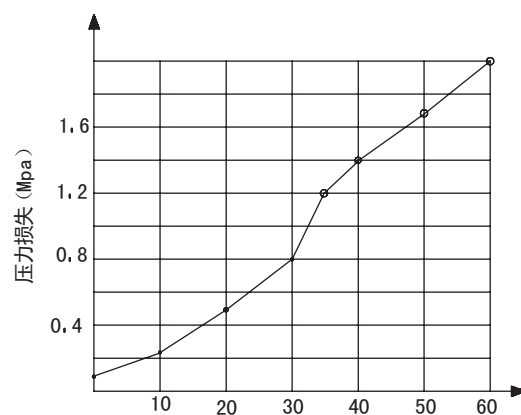
技术参数/PARAMETERS

型号 Model	油口尺寸 Oil Port	流量 Flow(gpm)	公称压力 (bar) Standard Pressure
LKF-40-3/8NPT	3/8" -NPT	0-30L/min (0-8gpm)	210
LKF-60-1/2NPT	1/2" -NPT	0-60L/min (0-16gpm)	
LKF-114-3/4NPT	3/4" -NPT	0-114L/min (0-30gpm)	

LKF60流量曲线/LKF60 Curve of Flow



LKF60 压力损失表/LKF60 Curve of Pressure Drop



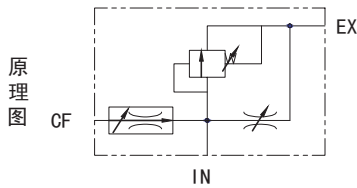
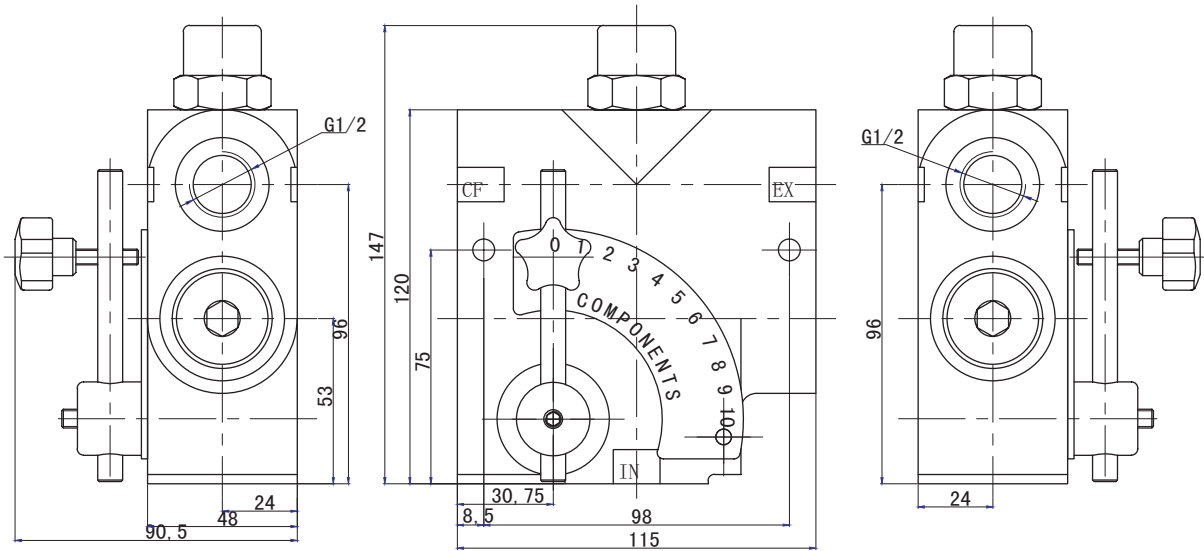
LKF-60 压力补偿可变流量控制阀 FCV

BLINCE HYDRAULIC

LKF-60 压力补偿可变流量控制阀

LKF-60 Pressure Compensating Flow Control Valve

LKF-60外形安装连接尺寸/MODEL LKF-60 DIMENSIONAL DATA



技术参数:

1. 公称通径 15mm
2. 公称压力 21MPa
3. 公称流量 0-60L/min

LKF-60 压力补偿可变流量控制阀 FCV