



1、产品特点/ Product features	88
2、技术参数/ Technical data	88
3、安装联接尺寸/ Installation Dimensions	
OMER-2 安装连接尺寸 OMER-2 Installation Dimensions	89
OMER-2 轴伸连接尺寸 OMER-2 Output Shaft Dimensions	91
OMER-3 安装连接尺寸 OMER-3 Installation Dimensions	92
OMER-3 轴伸连接尺寸 OMER-3 Output Shaft Dimensions	92
OMER-4 安装连接尺寸 OMER-4 Installation Dimensions	93
OMER-4 轴伸连接尺寸 OMER-4 Output Shaft Dimensions	94
4、订货信息/ Order Information	95

产品特点 / Product features

OMER系列摆线液压马达是一种先进的高速配流结构液压马达，该系列马达使用镶柱式转定子付，具有工作压力高，工作效率高，低速稳定性好，能够保持高的容积效率，整机高效保持性好，工作寿命长的特点。可在标准结构的基础上根据用户需求进行多功能的变型设计。其特点：

- 1、采用先进的转定子参数设计，启动压力低，效率高并保持性好。
- 2、工作压力高,输出扭矩大。采用滚针轴承结构，承受轴、径向负荷能力强，使马达可直接驱动工作机构，使用范围扩大。
- 3、先进高速配流结构，使马达配流精度高，磨损后自动补偿能力强，确保高的容积效率、马达长寿命，确保马达转速平稳、负载速度特性平稳。
- 4、配流系统具有低泄漏的特性，配流的旋转速度是输出转速的6倍，使马达配流精度高，磨损后自动补偿能力强，确保高的容积效率，马达具有在低速下平稳运动的特性。

OMER series motor adapt the advanced Geroler gear set designed with high speed distribution flow and high pressure, and have good stability in low speed, and can keep high volume efficiency. The unit can be supplied the individual variant in operating multifunction in accordance with requirement of applications.

Characteristic features:

- 1、Advanced manufacturing devices for the Geroler gear set, which use low pressure of start-up, provide smooth and reliable operation and high efficiency.
- 2、The output shaft adapts in needle roller bearings that permit high axial and radial forces. The case can offers capacities of high pressure and high torque in the wide of applications.
- 3、Advanced design in high speed distribution flow, which can automatically compensate in operating with high volume efficiency and long life , provide smooth and reliable operation.
- 4、Lowest leakage rate, most accurate timing methods. Commutator rotates 6x faster than shaft speed. It make the distribution in a high precision reduces life-cycle cost, maintain high volume efficiencies and can run very smoothly at low speed, gear box not required.

技术参数/ Technical data

型号 Type		OMER 125	OMER 160	OMER 200	OMER 230	OMER 250	OMER 300	OMER 350	OMER 375	OMER 400	OMER 475	OMER 540	OMER 650	OMER 750
排量 (cm ³ /rev.) Geometric displacement		118	156	196	228	257	296	345	371	405	462	540	647	745
最高转速 (rpm) Max. speed	连续 cont.	360	375	330	290	290	250	220	200	185	160	140	115	100
	断续 int.	490	470	425	365	350	315	270	240	220	195	170	138	120
最大扭矩 (N.m) Max. torque	连续 cont.	325	450	530	625	700	810	905	990	1010	1085	980	1015	1050
	断续 int.	380	525	600	710	790	930	1035	1140	1180	1180	1240	1250	1180
	峰值 peak	450	590	750	870	980	1120	1285	1360	1360	1260	1380	1380	1370
最大功率 (kW) Max. output	连续 cont.	12.0	15.0	15.5	16.0	17.5	18.0	17.5	16.5	15.5	14.5	11.5	10.0	8.0
	断续 int.	14.0	17.5	18.0	19.0	20.0	21.0	20.0	19.0	18.0	16.5	15.0	12.0	10.0
最高压力 (Mpa) Max. pressure drop	连续 cont.	20.5	20.5	20.5	20.5	20.5	20.5	20.5	20.5	19	17.5	14	12	10.5
	断续 int.	24	24	24	24	24	24	24	24	22.5	19	17.5	15.5	12
	峰值 peak	27.6	27.6	27.6	27.6	27.6	27.6	27.6	27.6	27.6	25	20.5	20.5	17.5
最大流量 (L/min) Max. flow	连续 cont.	45	60	70	70	75	80	80	75	75	75	75	75	75
	断续 int.	60	75	85	85	90	95	95	90	90	90	90	90	90

* 额定转速、扭矩是指在额定流量、压力下的输出值。

* 连续值是指该排量马达可以连续工作的最大值。

* 断续值是指该排量马达在1分钟内工作6秒的最大值。

* 峰值是指该排量马达在1分钟内工作0.6秒的最大值。

* Rated speed and rated torque: output value of speed and torque under rated flow and rated pressure;

* Continuous pressure: Max.value of operating motor continuously;

* Intermittent prssure: Max.value of operating motor in 6 seconds per minute;

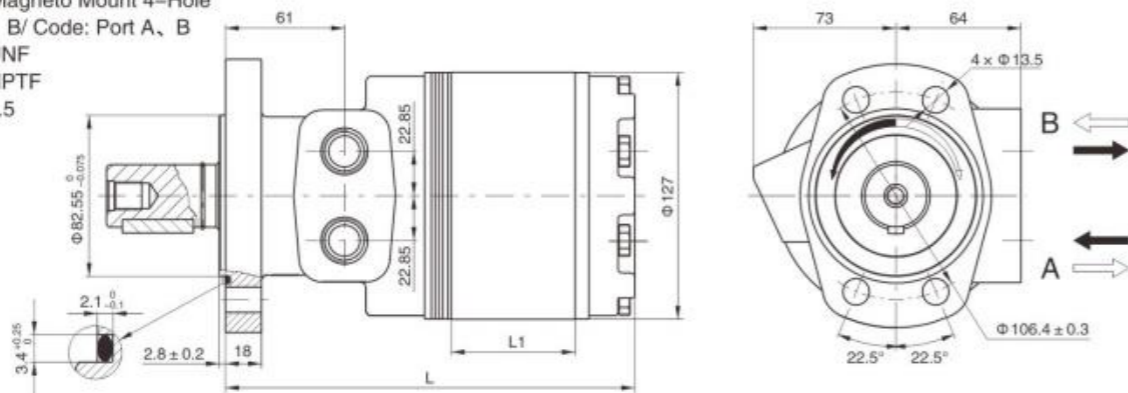
* Peak pressure: Max.value of operating motor in 0.6 second per minute.

OMER系列/ OMER Serie

OMER-2 安装连接尺寸/ OMER-2 Installation Dimensions

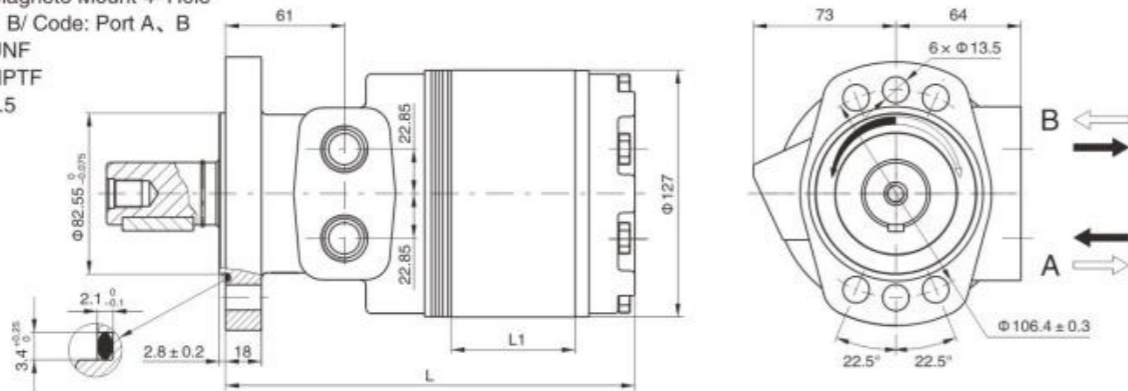
4孔腰型法兰/ Magneto Mount 4-Hole

代号: 油口 A、B/ Code: Port A、B
MS 7/8-14UNF
MP 1/2-14NPTF
MG M22 × 1.5
MD G1/2



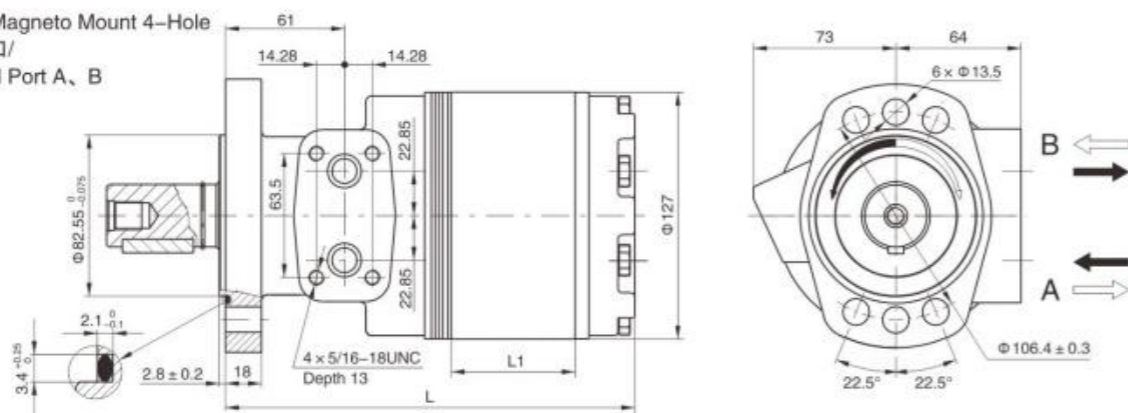
6孔腰型法兰/ Magneto Mount 4-Hole

代号: 油口 A、B/ Code: Port A、B
FS 7/8-14UNF
FP 1/2-14NPTF
FG M22 × 1.5
FD G1/2



6孔腰型法兰/ Magneto Mount 4-Hole

代号: 板式油口/
Code: Manifold Port A、B
FH Ø12.7



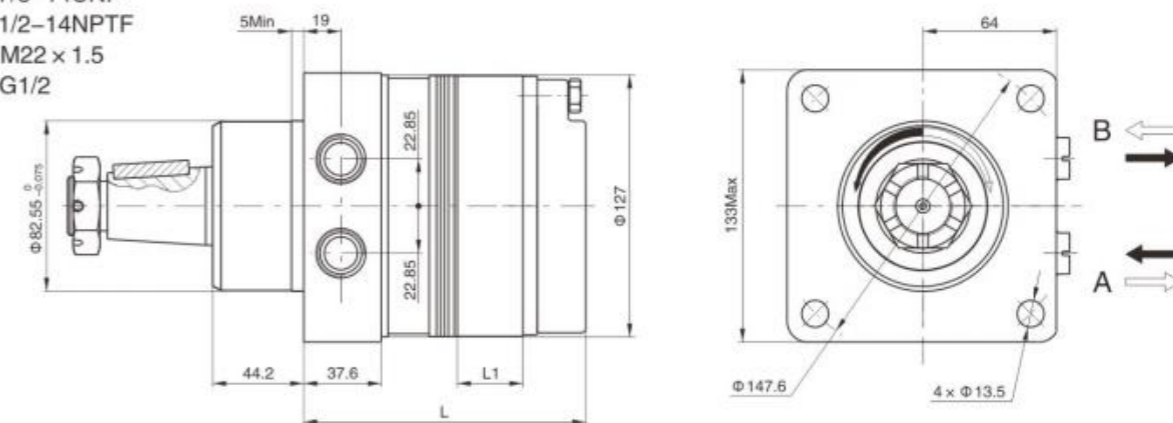
排量 Displacement (cm ³ /rev.)	125	160	200	230	250	300	350	375	400	475	540	650	750
L1(mm)	10.2	13.5	17	19.5	22	25.4	29.5	31.8	35.5	39.4	47.3	57	63.5
L(mm)	159	162	165.5	168	170.5	174	178	180.5	184	188	196	204	212
重量 Weight (kg)	10.6	10.9	11.2	11.3	11.4	11.6	12	12.5	12.7	13	13.5	14.5	15

OMER系列/ OMER Serie

OMER-2 安装连接尺寸/ OMER-2 Installation Dimensions

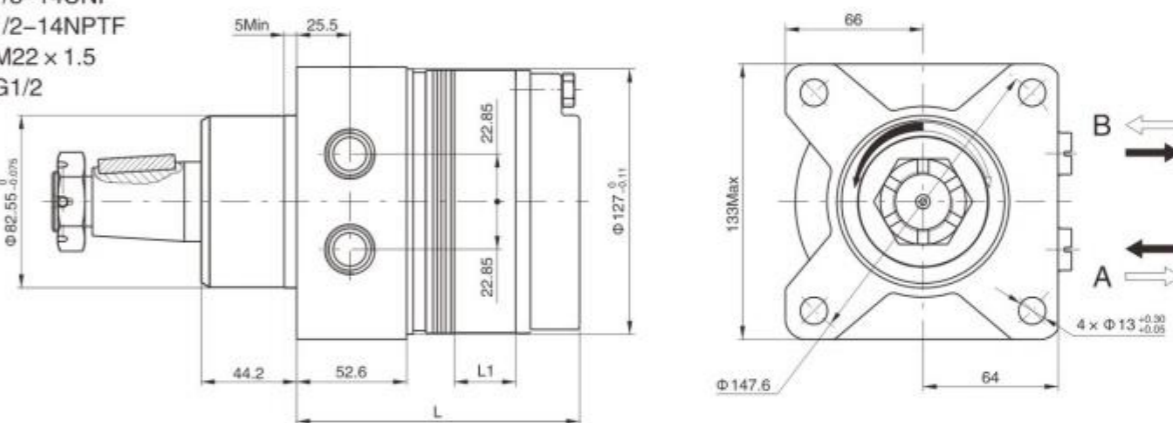
车轮安装法兰/ Wheel Mount

代号: 油口 A、B/ Code: Port A、B
WS 7/8-14UNF
WP 1/2-14NPTF
WG M22 × 1.5
WD G1/2



车轮安装法兰/ Wheel Mount

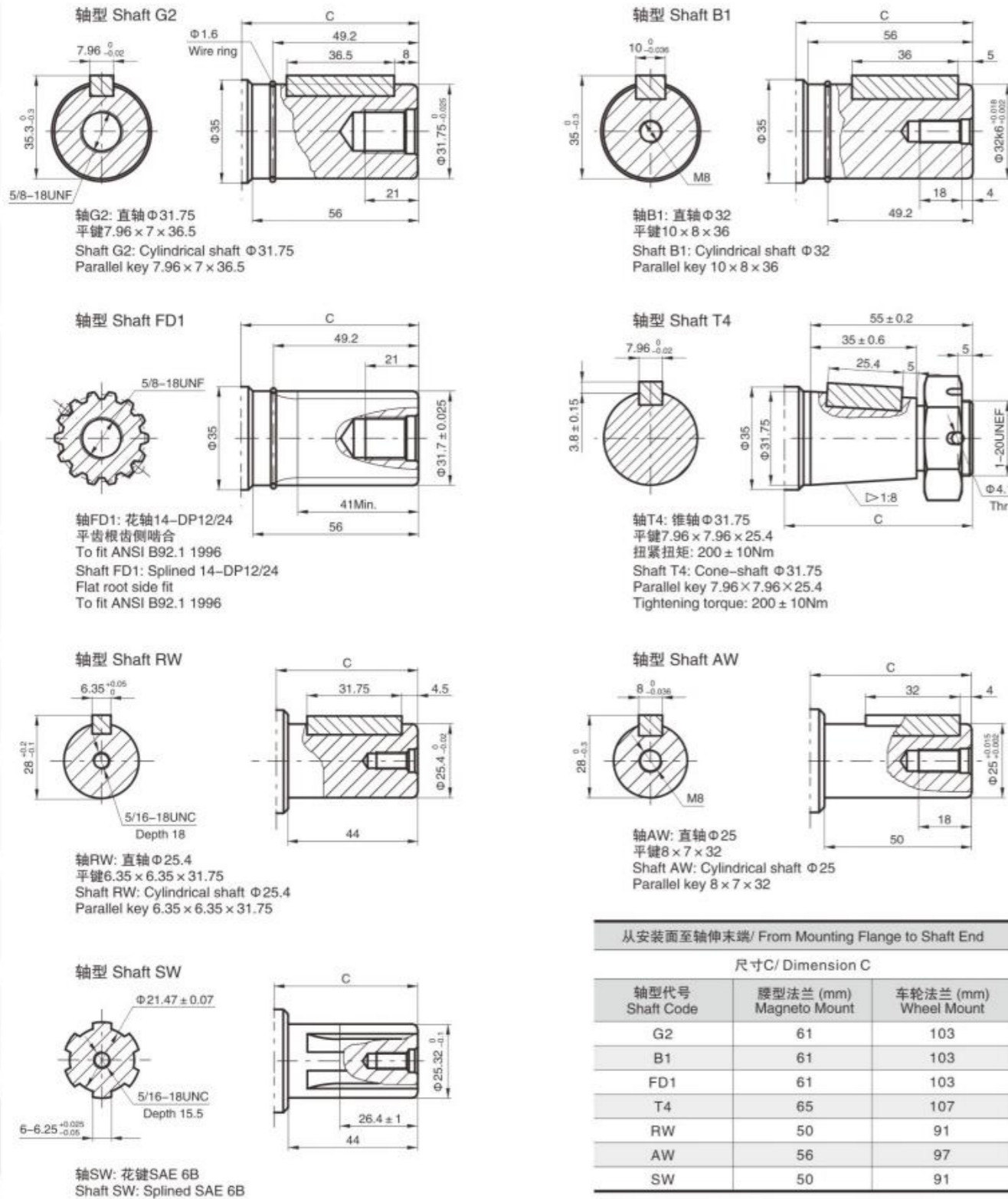
代号: 油口 A、B/ Code: Port A、B
TS 7/8-14UNF
TP 1/2-14NPTF
TG M22 × 1.5
TD G1/2



排量 Displacement (cm ³ /rev.)	125	160	200	230	250	300	350	375	400	475	540	650	750
L1(mm)	10.2	13.5	17	19.5	22	25.4	29.5	31.8	35.5	39.4	47.3	57	63.5
L(mm)	120	123	126.5	129	131.5	135	139	141.5	145	149	157	167	176
重量 Weight (kg)	12	12.1	12.3	12.4	12.6	13	13.2	13.5	13.7	14	14.6	15.5	16

OMER系列/ OMER Serie

OMER-2 轴伸连接尺寸/ OMER-2 Shaft Extensions Dimensions Data



从安装面至轴伸末端/ From Mounting Flange to Shaft End

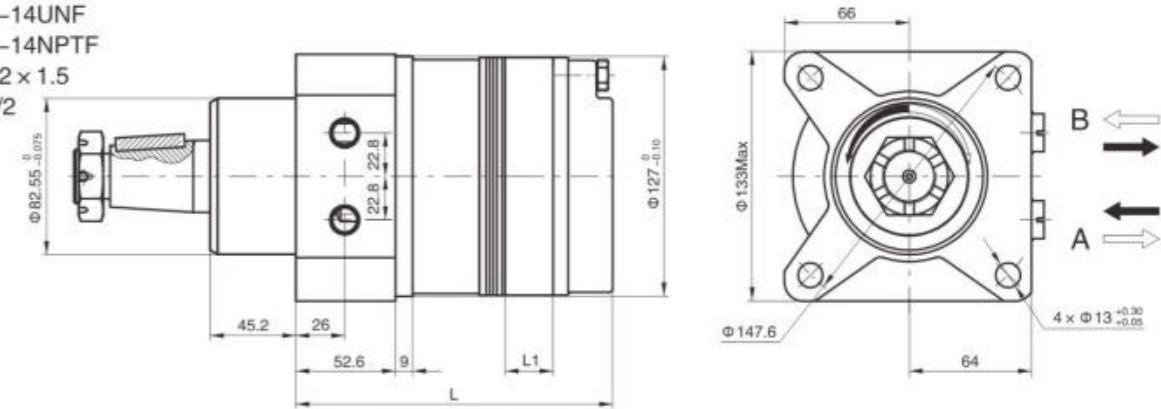
轴型代号 Shaft Code	尺寸C/ Dimension C	
	腰型法兰 (mm) Magneto Mount	车轮法兰 (mm) Wheel Mount
G2	61	103
B1	61	103
FD1	61	103
T4	65	107
RW	50	91
AW	56	97
SW	50	91

OMER-2也可以安装 $\Phi 38.1$ 轴径, 如T31、M1、G32等轴型, 请与销售经理或技术工程师联系。
OMER-2 can be configured $\Phi 38.1$ shaft seal. Shaft type T31 and M1 and G32. Please consult the sales manager.

OMER系列/ OMER Serie

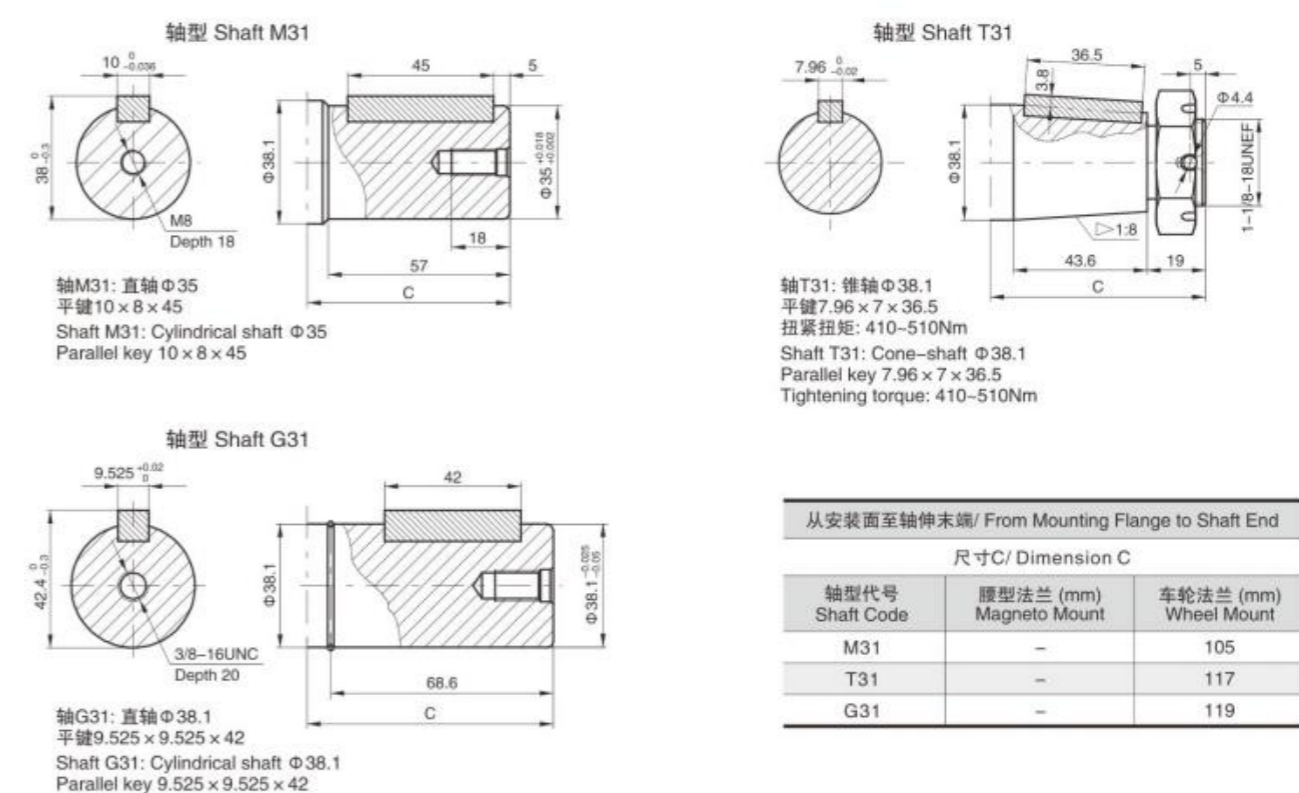
OMER-3 安装连接尺寸/ OMER-3 Installation Dimensions

车轮安装法兰/ Wheel Mount
代号: 油口 A、B/ Code: Port A、B
WS 7/8-14UNF
WP 1/2-14NPTF
WG M22 \times 1.5
WD G1/2



排量 Displacement (cm ³ /rev.)	125	160	200	230	250	300	350	375	400	475	540	650	750
L1(mm)	10.2	13.5	17	19.5	22	25.4	29.5	31.8	35.5	39.4	47.3	57	63.5
L(mm)	153	156	159.5	162	164.5	168	172	174.5	178	182	190	199.5	206
重量 Weight (kg)	13.2	13.5	13.8	14	14.2	14.5	14.9	15.2	15.5	15.7	16.5	17.3	17.8

OMER-3 轴伸连接尺寸/ OMER-3 Shaft Extensions Dimensions Data



从安装面至轴伸末端/ From Mounting Flange to Shaft End

轴型代号 Shaft Code	尺寸C/ Dimension C	
	腰型法兰 (mm) Magneto Mount	车轮法兰 (mm) Wheel Mount
M31	-	105
T31	-	117
G31	-	119

OMER-4 安装连接尺寸/ OMER-4 Installation Dimensions

车轮安装法兰/ Wheel Mount
 代号: 油口 A、B/ Code: Port A、B
 WS 7/8-14UNF
 WP 1/2-14NPTF
 WG M22 × 1.5
 WD G1/2



排量 Displacement (cm³/rev.)	125	160	200	230	250	300	350	375	400	475	540	650	750
L1(mm)	10.2	13.5	17	19.5	22	25.4	29.5	31.8	35.5	39.4	47.3	57	63.5
L(mm)	119	122	125.5	128	130.5	134.5	138	140.5	144.5	148	156	165.5	172
重量 Weight (kg)	12.8	13.1	13.4	13.6	13.8	14.1	14.5	14.8	15.2	15.6	16.1	16.9	17.4

OMER-4 轴伸连接尺寸/ OMER-4 Shaft Extensions Dimensions Data

轴型 Shaft G2

轴G2: 直轴 Ø31.75
 平键 7.96 × 7 × 36.5
 Shaft G2: Cylindrical shaft Ø31.75
 Parallel key 7.96 × 7 × 36.5

轴型 Shaft B1

轴B1: 直轴 Ø32
 平键 10 × 8 × 36
 Shaft B1: Cylindrical shaft Ø32
 Parallel key 10 × 8 × 36

轴型 Shaft FD1

轴FD1: 花轴 14-DP12/24
 平齿根齿侧啮合
 To fit ANSI B92.1 1996
 Shaft FD1: Splined 14-DP12/24
 Flat root side fit
 To fit ANSI B92.1 1996

轴型 Shaft T4

轴T4: 锥轴 Ø31.75
 平键 7.96 × 7.96 × 25.4
 扭紧扭矩: 200 ± 10Nm
 Shaft T4: Cone-shaft Ø31.75
 Parallel key 7.96 × 7.96 × 25.4
 Tightening torque: 200 ± 10Nm

轴型 Shaft RW

轴RW: 直轴 Ø25.4
 平键 6.35 × 6.35 × 31.75
 Shaft RW: Cylindrical shaft Ø25.4
 Parallel key 6.35 × 6.35 × 31.75

轴型 Shaft AW

轴AW: 直轴 Ø25
 平键 8 × 7 × 32
 Shaft AW: Cylindrical shaft Ø25
 Parallel key 8 × 7 × 32

轴型 Shaft SW

轴SW: 花键 SAE 6B
 Shaft SW: Splined SAE 6B

从安装面至轴伸末端/ From Mounting Flange to Shaft End

尺寸C/ Dimension C

轴型代号 Shaft Code	车轮法兰 (mm) Wheel Mount
G2	131
B1	130
FD1	131
T4	135
RW	119
AW	119
SW	125